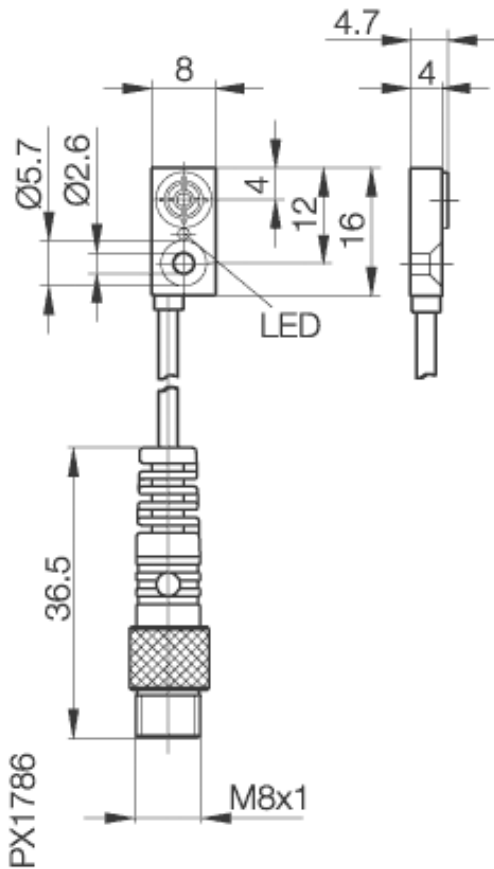


Inductive Sensors
BES R04KC-NSC15B-S49-00,13
8 x 16 x 4
normally-open
Sn=1,5mm
shielded



Common Data

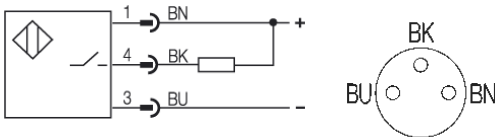
Mounting in steel	shielded
Rated operating distance Sn	1,5mm
Assured operating distance Sa	0...1.2mm
Repeatability R	≤ 1%
Hysteresis	≤ 15%
Function indication	yes
Ambient temperature range	-25...+70°C
Pollution Degree	3
Time delay before availability	≤ 10ms

Mechanical Data

Measurements BxHxT or DxT	8 x 16 x 4mm
Housing material	PA6-GF30
Material of sensing face	PA6-GF30
Degree of protection	IP67IP
Connection	Cable with Connector
Cable type	LifY-11Y-O
Schock: Halbsinus, 30 gn, 11ms	
Vibration: 55 Hz, 1mm Amplitude, 3 x 30 Minutes	

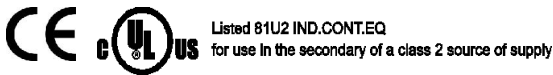
Electrical Data

Current type	DC
Wiring	3-Wire
switching function	normally-open
Output signal	NPN
Rated operational voltage	24 DCV
Rated operational current	100mA
Supply voltage	5...30 DCV
Ripple	≤ 10%
max. switching frequency	600Hz
No-load supply current	≤ 10/≤ 1mA
Off-state current	≤ 50µA
Voltage drop	≤ 1,5V
Short circuit protection	yes
Protected against polarity reversal	no



Remarks

Mounting Instructions 825345



Utilization categories
 Insulation class

DC 12

Datasheet number:

Definitions see general catalog.
 If not otherwise noted, ratings according to
 IEC 60947-5-2 (DIN EN60947-5-2)

Balluff GmbH
 Schurwaldstrasse 9
 73765 Neuhausen a.d.F.
 Phone (07158) 173-0 Fax (07158) 5010

Datenblatt by CD-ROM - 04/2007

BALLUFF
 sensors worldwide